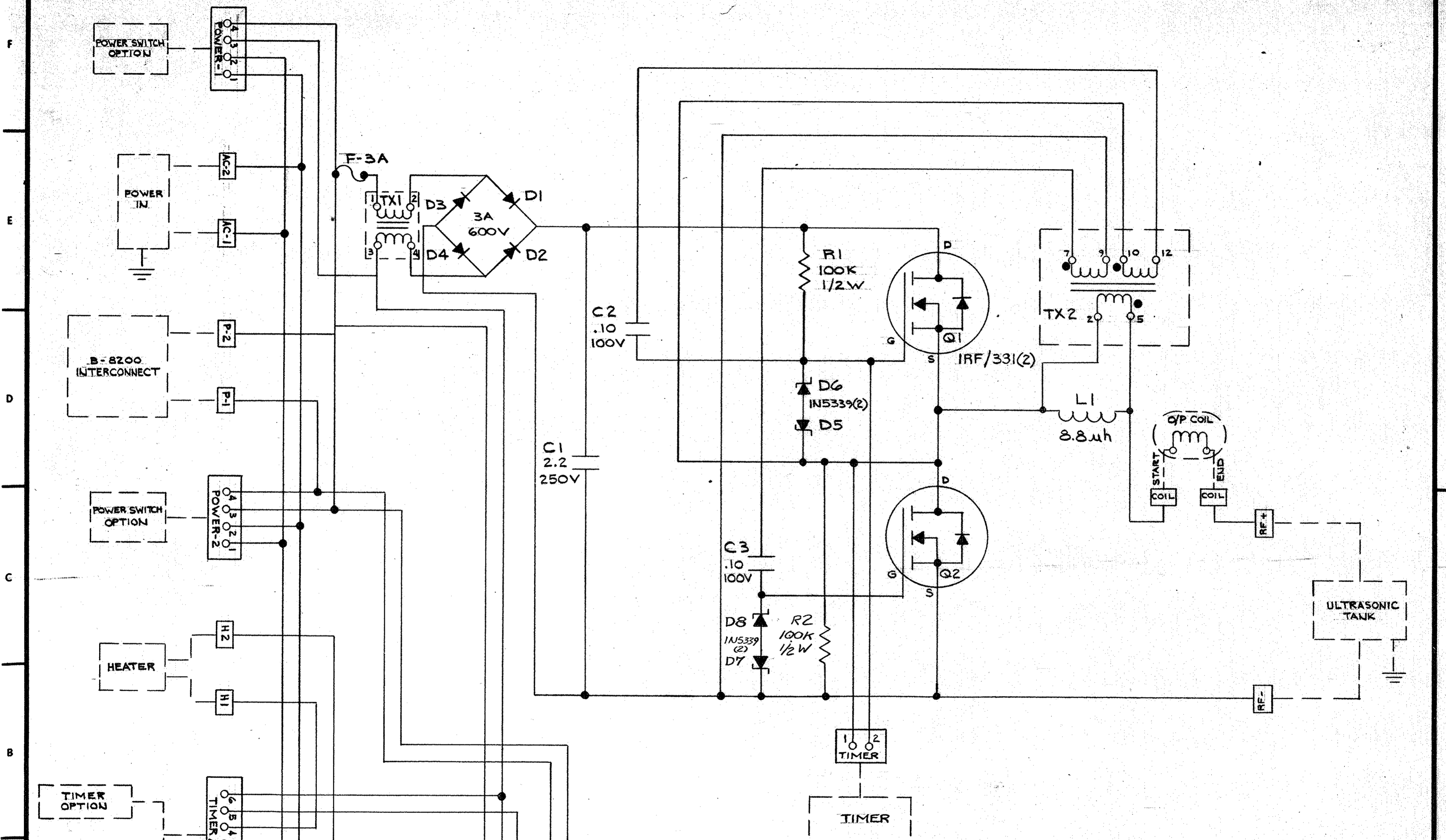


REV	BY	DATE	DESCRIPTION	ECN
1	MS	2-89	PER ECR	8704



MATERIAL #	USED ON	BRANSON SONIC POWER COMPANY Eagle Rd. Danbury, Conn 06810 Division of Branson Ultrasonics Corporation			
FINISH #		TITLE SCHEMATIC B2200 BRANSONIC			
UNLESS OTHERWISE SPECIFIED		SUPERSEDED BY	SCALE #	DR G.R. 1-5-89	DATE
BREAK ALL CORNERS AND EDGES		B.S.P. NO.	QTY.	CH.	
FRAC. ± 1/64	HOLES ± .01	SHEET 1		APP.	REV.
.XX ± .005	-.002	OF 1	C	DWG. NO. 913-242-096	1
ANGLE ± 1°	ALL DIMS ARE IN INCHES				

FF19

BSP 14674