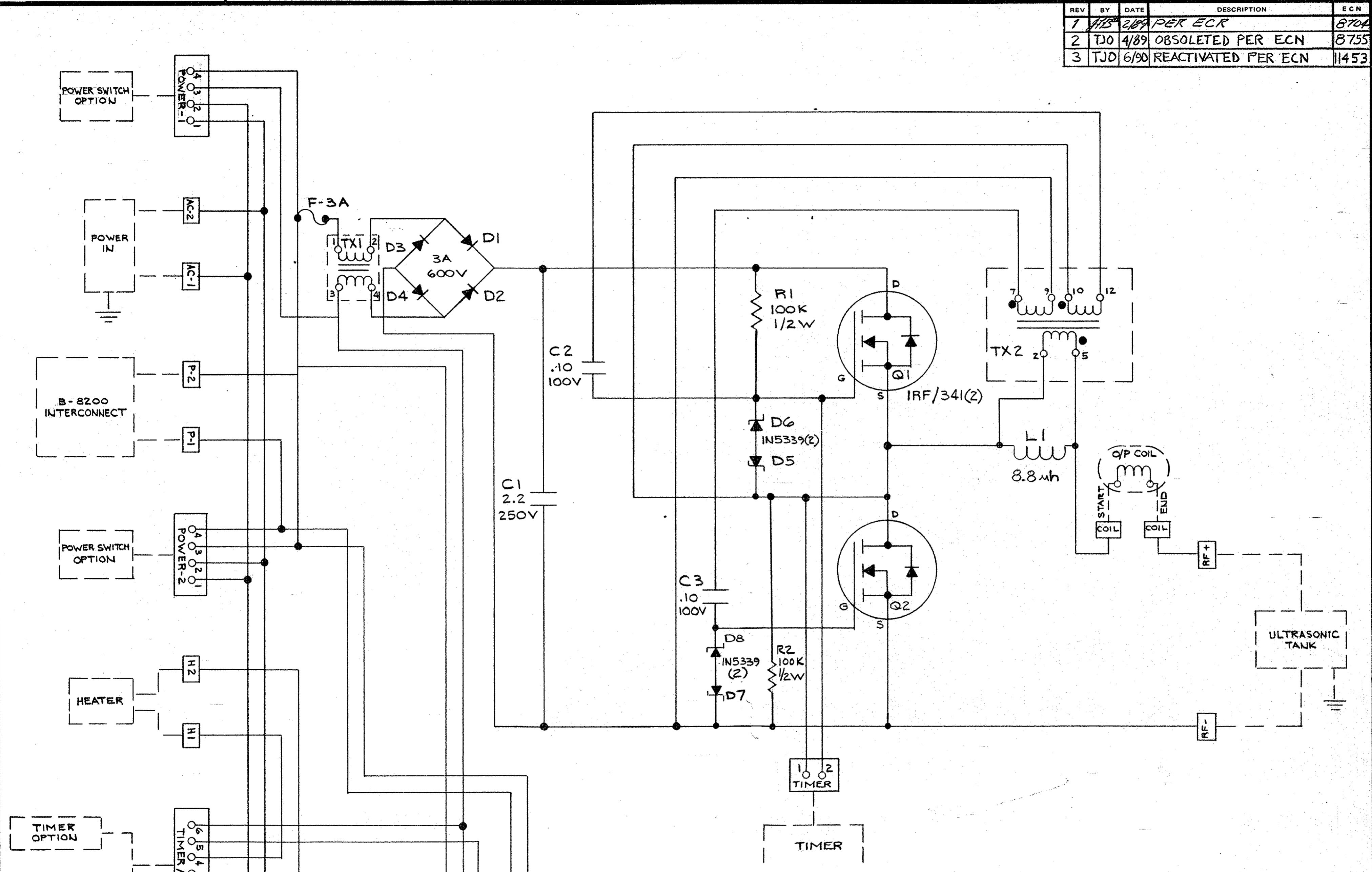


REV	BY	DATE	DESCRIPTION	ECN
1	HIS	2/89	PER ECR	8704
2	TJO	4/89	OBSOLETE PER ECN	8755
3	TJO	6/90	REACTIVATED PER ECN	11453

F
E
D
C
B
A



MATERIAL	USED ON	BRANSON	
#		SONIC POWER COMPANY Eagle Rd. Danbury, Conn 06810 Division of Branson Ultrasonics Corporation	
FINISH	TITLE	SCHEMATIC B5200 BRANSONIC	
#	SUPERSEDES	NEXT ASSY.	DES. DATE
UNLESS OTHERWISE SPECIFIED		SUPERSEDED BY	SCALE
BREAK ALL CORNERS AND EDGES		B.S.P. NO.	QTY.
FRAC.	± 1/64 HOLES	DR. B.R. 1-5-88	
.XX	± .01 +.005	CH.	
.XXX	± .005 -.002	APP.	
ANGLE	± 1° ALL DIMS ARE IN INCHES	SHEET 1 OF 1	
		DWG. NO. 913-242-098	
		REV. 3	