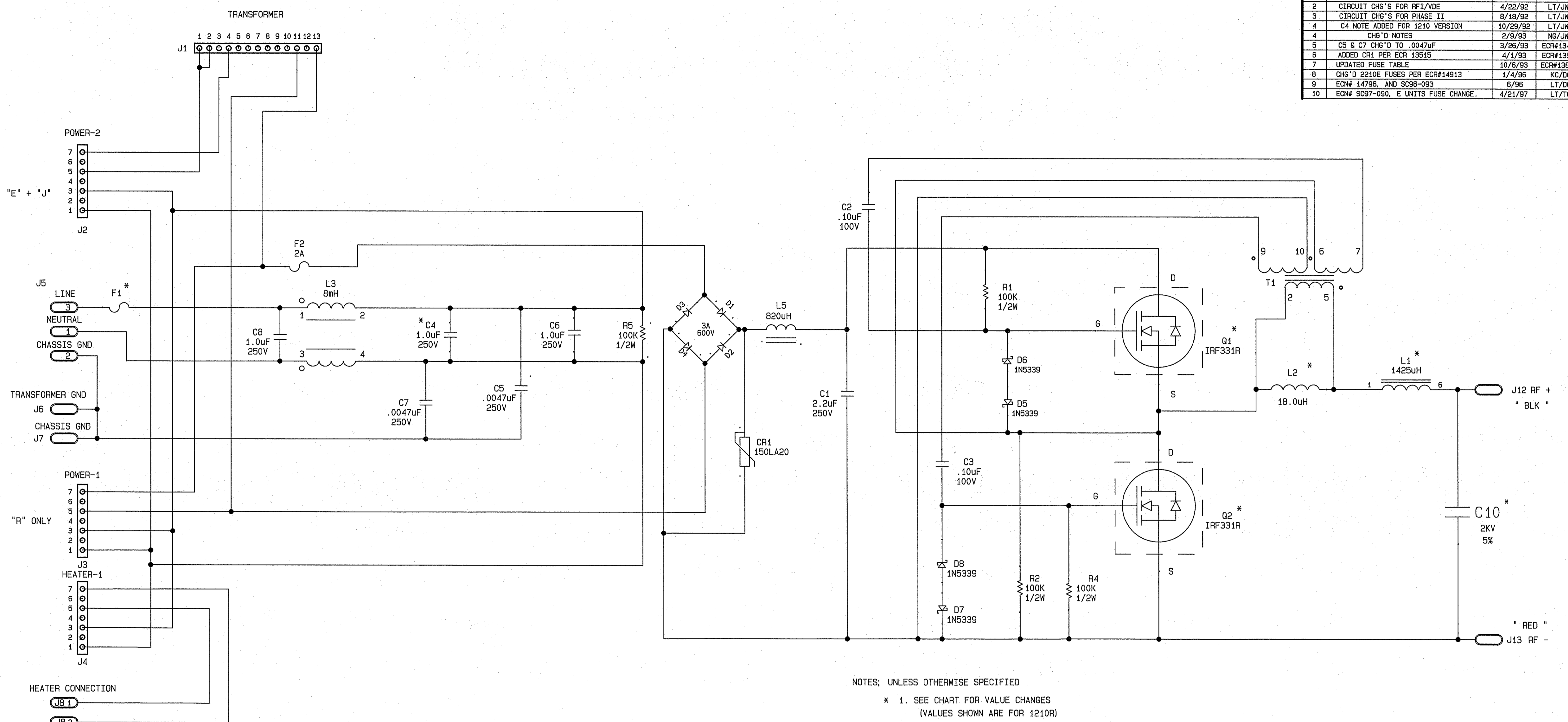


REVISIONS			
REV.	DESCRIPTION	DATE	E.C.N. BY/APPR.
1	C4, C6 CHG. D TO 1.0uF, WAS .47uF	10/23/91	LT/JWS
2	CIRCUIT CHG'S FOR RFI/VDE	4/22/92	LT/JWS
3	CIRCUIT CHG'S FOR PHASE II	8/18/92	LT/JWS
4	C4 NOTE ADDED FOR 1210 VERSION	10/29/92	LT/JWS
4	CHG'D NOTES	2/9/93	NG/JWS
5	C5 & C7 CHG'D TO .0047uF	3/26/93	ECR#13492
6	ADDED CR1 PER ECR 13515	4/1/93	ECR#13515
7	UPDATED FUSE TABLE	10/6/93	ECR#13831
8	CHG'D 2210E FUSES PER ECR#14913	1/4/96	KC/DG
9	ECN# 14796, AND SC96-093	6/96	LT/DG
10	ECN# SC97-090, E UNITS FUSE CHANGE.	4/21/97	LT/TO



NOTES: UNLESS OTHERWISE SPECIFIED

- \* 1. SEE CHART FOR VALUE CHANGES (VALUES SHOWN ARE FOR 1210R)
- \* 2. C4 IS NOT USED ON 1210 MODELS
- \* 3. C10 IS NOT USED ON 1210 AND 2210 MODELS

MODELS				
COMPONENT	1210	2210	3210	5210
L1	1425 uH	725 uH	450 uH	360 uH
L2	18.0 uH	8.2 uH	8.2 uH	8.2uH
Q1	331R	331R	341R	341R
Q2	331R	331R	341R	341R
F1 R, J MTH/MT	2A/1A	3A/2A	4A/2A	5A/3A
F1 E MTH/MT	1A/ 1/2A	2A/3.15A	2A/3.15A	2.5A/3.15A
C10	N/A	N/A	1.0nfd	1.5nfd

APP.	DATE	BRANSON ULTRASONICS CORP.			
DES.	DATE	41 EAGLE ROAD, DANBURY, CT 06813-1961 (203) 798-0400			
LT	4/17/91	TITLE			
DWG.	DATE	SCHEMATIC POWER SUPPLY			
JWS	4/17/91	1210 - 5210 MT/MTH EJER			
CHK.	DATE	USED ON	SIZE	DWG. NO.	REV.
LT	7/10/91	BSONIC	D	913-242-164	10
PRJ. ENGR.	DATE	SCALE	B.S.P.	SHEET	
		NONE	PCAD 8.5 GEN.	1 OF 1	