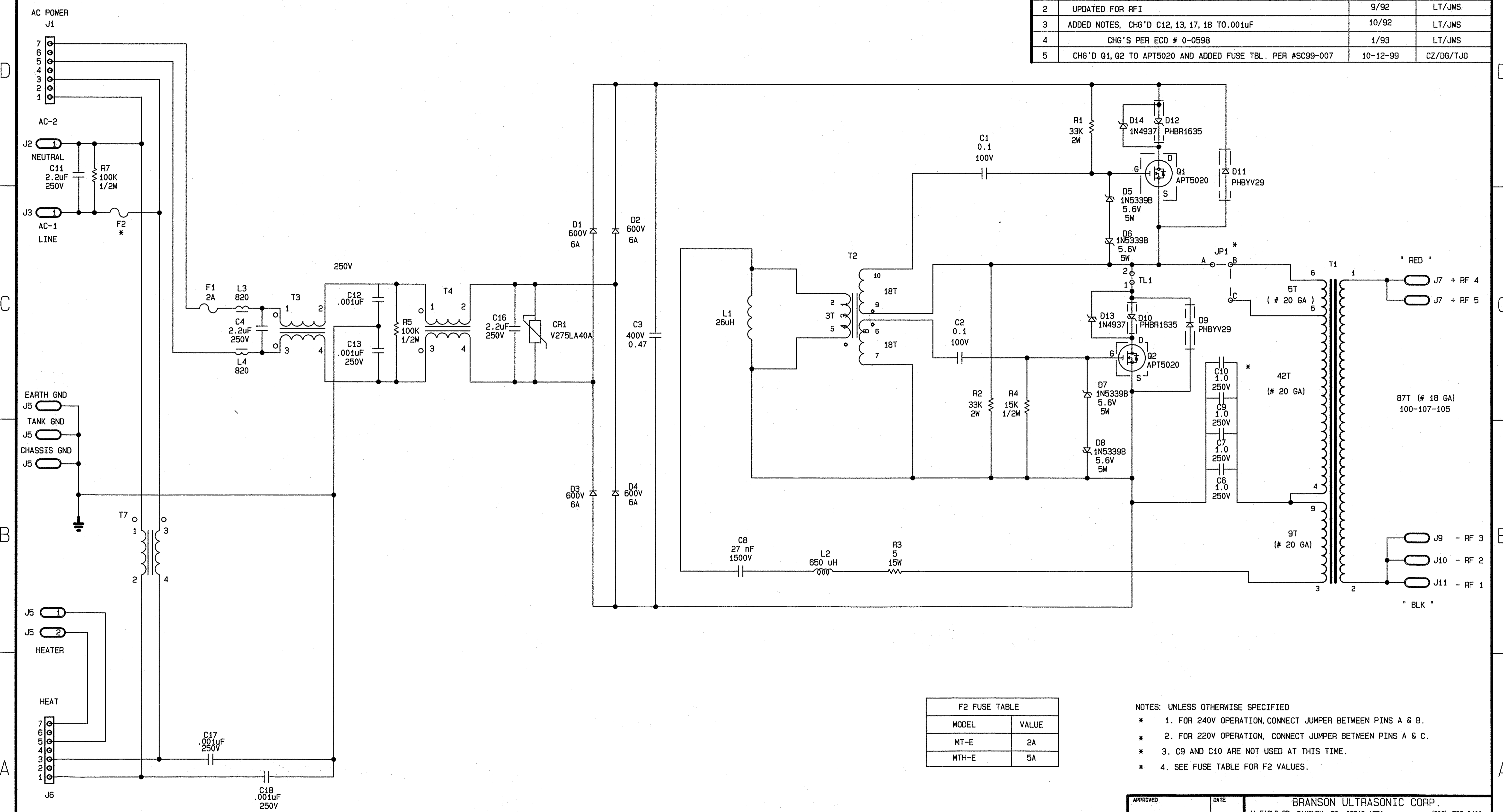


REVISIONS			
REV	DESCRIPTION	DATE	APPROVED
1	UPDATED FOR RFI AND VDE CHG'S	6/92	LT/JWS
2	UPDATED FOR RFI	9/92	LT/JWS
3	ADDED NOTES, CHG'D C12, 13, 17, 18 TO .001uF	10/92	LT/JWS
4	CHG'S PER ECO # 0-0598	1/93	LT/JWS
5	CHG'D Q1, Q2 TO APT5020 AND ADDED FUSE TBL. PER #SC99-007	10-12-99	CZ/DG/TJO



MODEL	VALUE
MT-E	2A
MTH-E	5A

NOTES: UNLESS OTHERWISE SPECIFIED  
 \* 1. FOR 240V OPERATION, CONNECT JUMPER BETWEEN PINS A & B.  
 \* 2. FOR 220V OPERATION, CONNECT JUMPER BETWEEN PINS A & C.  
 \* 3. C9 AND C10 ARE NOT USED AT THIS TIME.  
 \* 4. SEE FUSE TABLE FOR F2 VALUES.

APPROVED	DATE	BRANSON ULTRASONIC CORP.			
DRAWN J. SMITH	DATE 4/17/91	41 EAGLE RD. DANBURY, CT. 06813-1961 (203) 796-0400			
DES. L. TESTA	DATE 4/17/91	TITLE SCHEMATIC			
CHECKED L. TESTA	DATE 10/92	USED ON 8210/B510/SMB5	SIZE D	DWG. NO. 913-242-178	REV 5
PRJ. ENG	DATE	SCALE NONE			SHEET 1 of 1