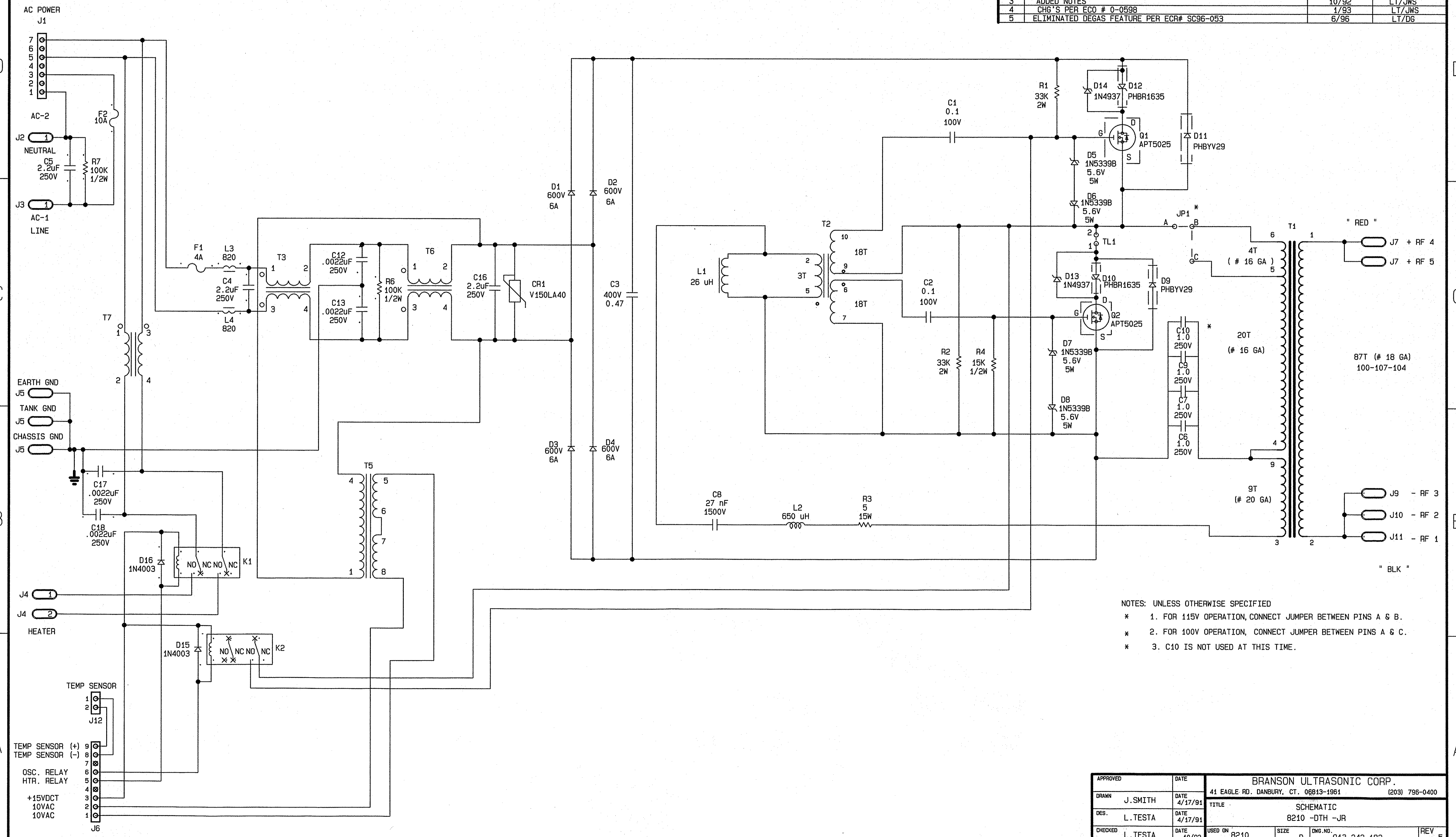


REVISIONS			
REV	DESCRIPTION	DATE	APPROVED
1	UPDATED FOR RFI AND VDE CHG'S	6/92	LT/JWS
2	UPDATED FOR RFI	9/92	LT/JWS
3	ADDED NOTES	10/92	LT/JWS
4	CHG'S PER ECO # 0-0598	1/93	LT/JWS
5	ELIMINATED DEGAS FEATURE PER ECR# SC96-053	6/96	LT/DG



NOTES: UNLESS OTHERWISE SPECIFIED  
 \* 1. FOR 115V OPERATION, CONNECT JUMPER BETWEEN PINS A & B.  
 \* 2. FOR 100V OPERATION, CONNECT JUMPER BETWEEN PINS A & C.  
 \* 3. C10 IS NOT USED AT THIS TIME.

AC POWER  
J1

AC-2  
J2

NEUTRAL  
C5  
2.2uF  
250V

R7  
100K  
1/2W

AC-1  
J3

LINE

F1  
4A

L3  
820

T3

C12  
.0022uF  
250V

R6  
100K  
1/2W

T6

C16  
2.2uF  
250V

CR1  
V150LA40

C3  
400V  
0.47

D1  
600V  
6A

D2  
600V  
6A

D3  
600V  
6A

D4  
600V  
6A

EARTH GND  
J5

TANK GND  
J5

CHASSIS GND  
J5

C17  
.0022uF  
250V

C18  
.0022uF  
250V

D16  
1N4003

K1

J4

HEATER

D15  
1N4003

K2

TEMP SENSOR  
J12

TEMP SENSOR (+)  
9

TEMP SENSOR (-)  
8

OSC. RELAY  
HTR. RELAY  
6  
5  
4  
3  
2  
1

+15VDCT  
10VAC  
10VAC

J6

APPROVED	DATE	BRANSON ULTRASONIC CORP.		
J. SMITH	4/17/91	41 EAGLE RD. DANBURY, CT. 06813-1961 (203) 796-0400		
DES. L. TESTA	DATE 4/17/91	TITLE SCHEMATIC		
CHECKED L. TESTA	DATE 10/92	USED ON 8210	SIZE D	DWG. NO. 913-242-182
PRJ. ENG	DATE	SCALE NONE		REV 5
				SHEET 1 OF 1